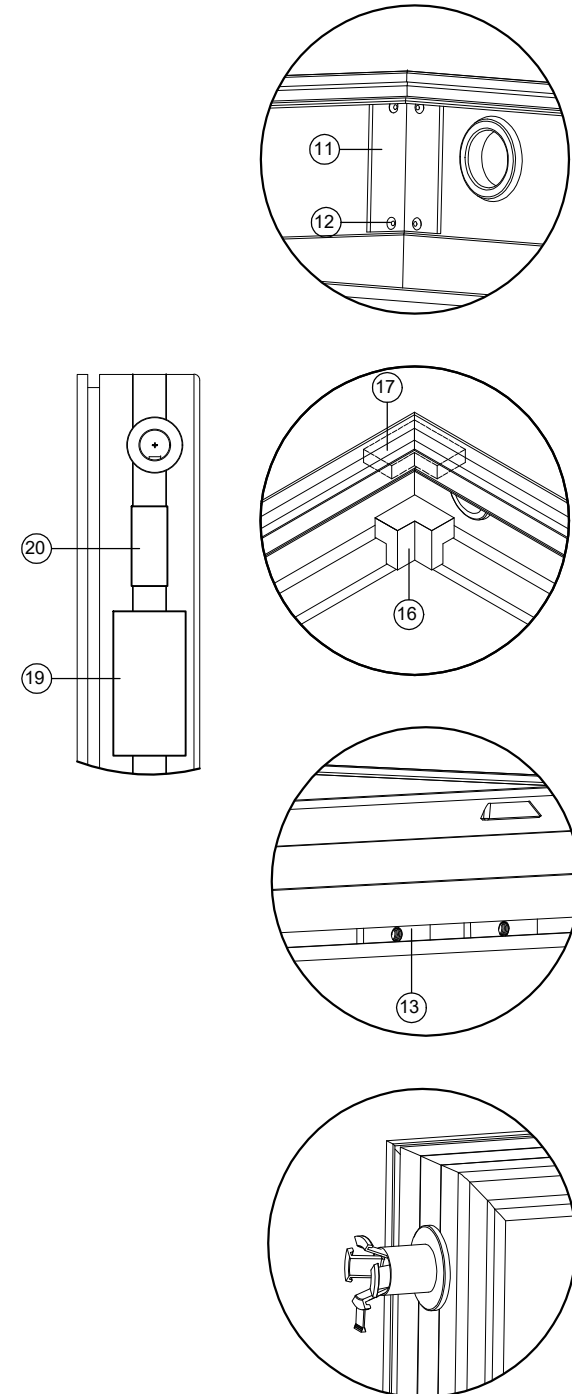


SIDE VIEW



24	PRODUCT'S PACKAGING FILM WRAP	103209	188
23	COLLECTOR'S PACKAGING CORNER PROTECTION	103749	297
22	PRODUCT'S PACKAGING LABEL	107318	0
21	PRODUCT'S WARNINGS SIGN	107301	0
20	UP SIGN	107319	0
19	PRODUCT'S LABEL	107321	0
18	BACK PLATE-PROFILE FRAME DURABILITY SUPPORT BEAM	107376	551
17	ALL UPPER CORNERS PROFILE FRAME'S SUPPORT SEALANT	107287	306
16	BOTTOM CORNER-UPPER SIDE PROFILE FRAME'S SUPPORT SEALANT	107288	307
15	HEADER'S TOPPING(COVER) TAPE	105531	86
14	HEADER-FRAME GASKET	100496	12
13	PROFILE'S FRAME MOVEABLE FIXING NUTS	102745	0
12	PROFILE'S FRAME EDGE BLIND RIVET CONNECTOR	103829	301
11	PROFILE'S FRAME EDGE ANGLE BAR CONNECTOR	100277	0
10	COLLECTOR'S TRANSPARENT COVER	101554	124
09	COLLECTOR'S PROFILE FRAME	102508	201
08	GLASS-FRAME SEALANT	100811	291
07	BACK PLATE INSULATION COVER	102177	299
06	GLASS-PROFILE FRAME HOLDER TAPE	104543	287
05	BACK PLATE-PROFILE FRAME HOLDER TAPE	105604	286
04	PROFILE'S FRAME LATERAL INSULATION	107973	0
03	BACK PLATE INSULATION	102810	134
02	BACK PLATE	105684	282
01	ABSORBER	104619	0
N/N	GROUP	CONSUMED ITEM CODE	DVCD

Gross Weight (kg) :		General Tolerance : ±1mm			
Units:	Scale:	Item Code:	DVCD:	N/N SH (Revision):	Date of Issue:
MM	1:10	102659	0	12	03/01/2020
Creator:		Item Description:			
		Plan_102659_FOXAL20V-2020.pdf			
		DVCD Description:			
		#			