

REP	N° DAK	DESCRIPTION	QTE
1	07.002829-C	KIT CAPTEUR 002-20_V20	1
2	07.002834-C	KIT PT 002-20_V20	1

REVISIONS		
REV	DESCRIPTION	DATE
		xx/xx/20xx



Informations contained in this drawing are the sole properties of DAK INDUSTRIES. Reproduction in part or whole without the written permission is prohibited.

LINEAR DIMENSIONS ARE IN MILLIMETERS. ANGULAR DIMENSIONS ARE IN DEGREES. GENERAL TOLERANCES ACCORDING TO:

MATERIAL :

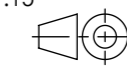
-

FINISH :

-

	NAME	DATE & SIGNATURE
DESIGNER	J.BRIARD	
CHECKER	F.MYKIETA	
METHODS	F.MYKIETA	

SCALE : 1:15  
 SIZE : A3  
 CREATION DATE : 27/05/2021

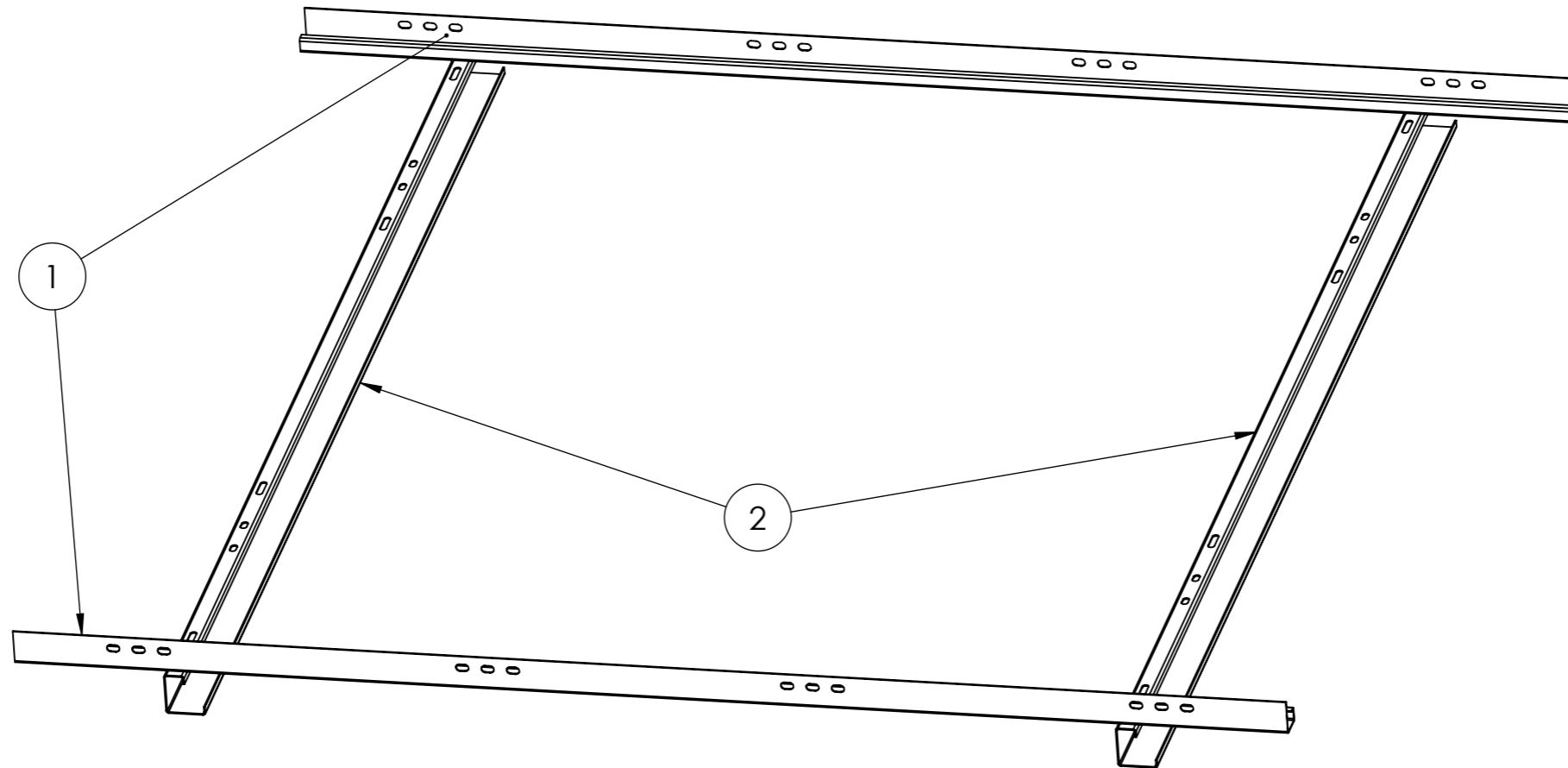


N° DAK INDUSTRIES REVISION :  
**07.002848 - C**  
 STATUS : STANDARD

WEIGHT : 83 Kg

NAME : CESC 002-20\_V20 PT

PAGE: 1/1



REP	N° DAK	DESCRIPTION	QTE
1	07.002247-C	TRAVERSE SUPPORT CAPTEUR 2006	2
2	07.001608-D	LONGERON BALL CAPT LG2060	2

REVISIONS		
REV	DESCRIPTION	DATE
		xx/xx/20xx



Informations contained in this drawing are the sole properties of DAK INDUSTRIES. Reproduction in part or whole without the written permission is prohibited.

LINEAR DIMENSIONS ARE IN MILLIMETERS.  
ANGULAR DIMENSIONS ARE IN DEGREES.  
GENERAL TOLERANCES ACCORDING TO:

MATERIAL :

-

FINISH :

-

DESIGNER NAME DATE & SIGNATURE

J.BRIARD

F.MYKIETA

F.MYKIETA

SCALE : 1:10

SIZE : A3

CREATION DATE :  
25/05/2021



N° DAK INDUSTRIES REVISION :

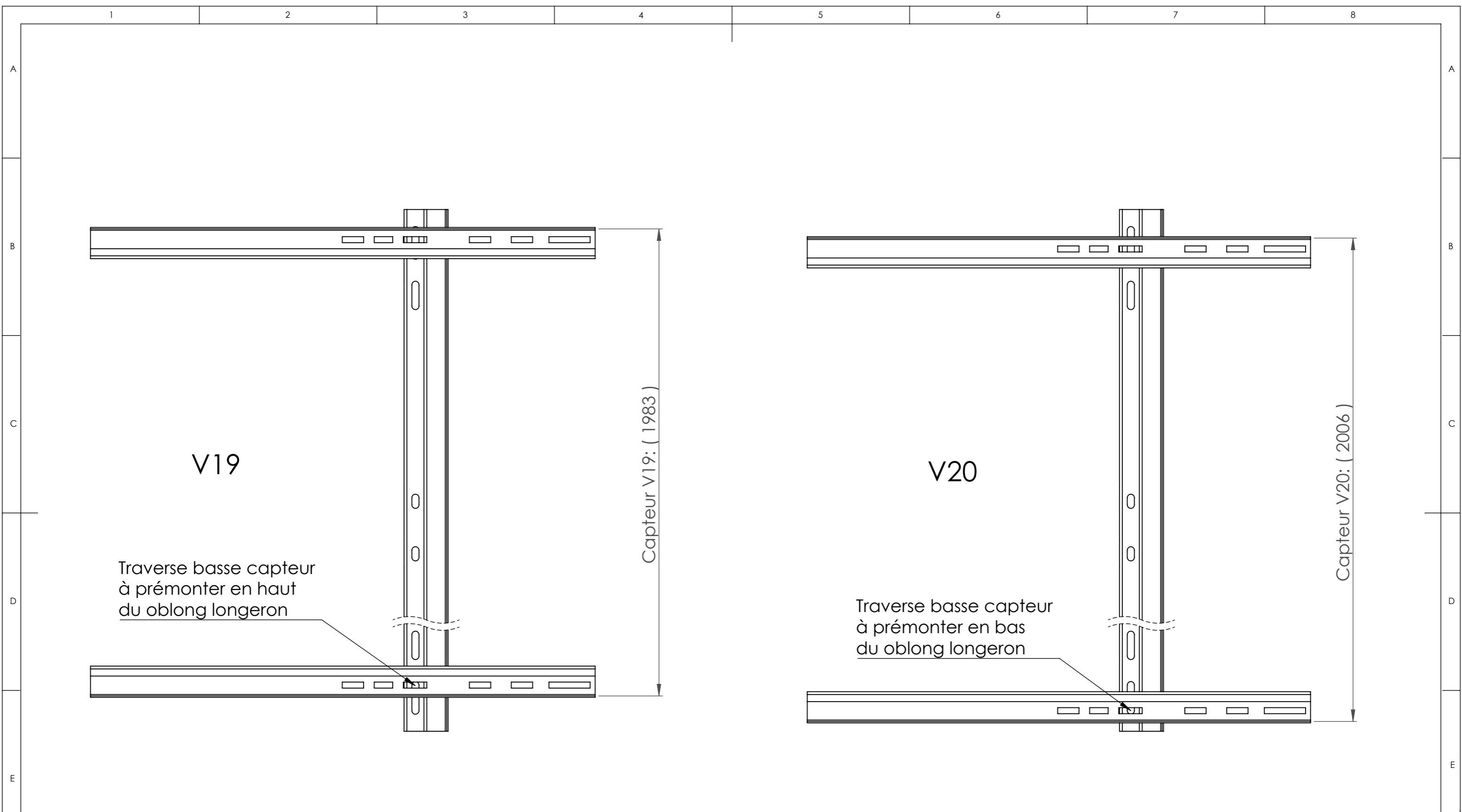
**07.002834 - C**

STATUS : STANDARD

WEIGHT : 19 Kg

NAME : KIT PT 002-20\_V20

PAGE: 1/3



REVISIONS		
REV	DESCRIPTION	DATE
		xx/xx/20xx

**DAK INDUSTRIES**

Informations contained in this drawing are the sole properties of DAK INDUSTRIES. Reproduction in part or whole without the written permission is prohibited.

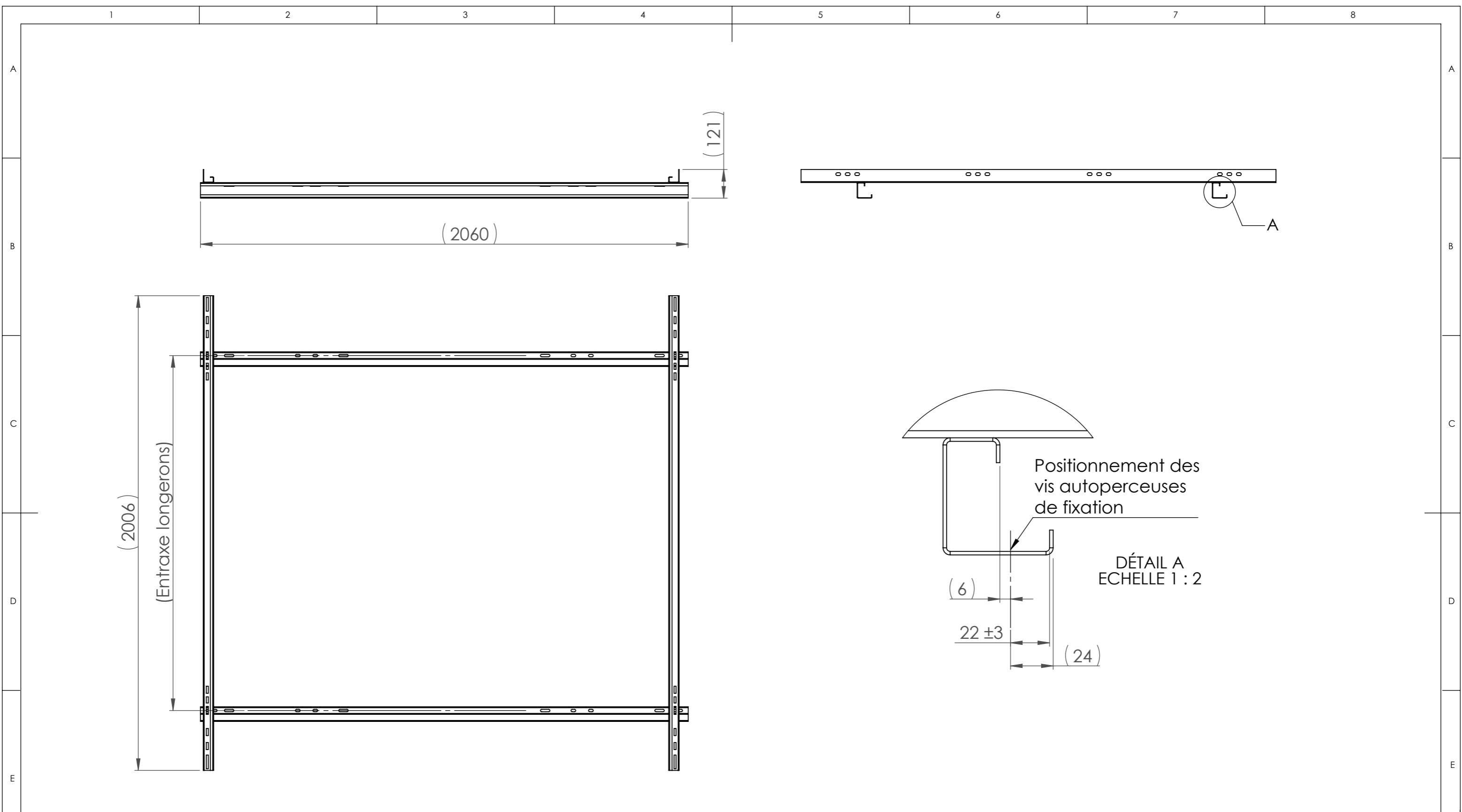
LINEAR DIMENSIONS ARE IN MILLIMETERS. ANGULAR DIMENSIONS ARE IN DEGREES. GENERAL TOLERANCES ACCORDING TO:

-

MATERIAL : - FINISH : -

WEIGHT : 19 Kg NAME : KIT PT 002-20\_V20

DESIGNER	NAME	DATE & SIGNATURE
J.BRIARD		
F.MYKIETA		
F.MYKIETA		
SCALE : 1:5	N° DAK INDUSTRIES REVISION :	
SIZE : A3	<b>07.002834 - C</b>	
CREATION DATE : 25/05/2021	STATUS : STANDARD	
		PAGE: 2/3



REVISIONS		
REV	DESCRIPTION	DATE
		xx/xx/20xx

**DAK INDUSTRIES**

Informations contained in this drawing are the sole properties of DAK INDUSTRIES. Reproduction in part or whole without the written permission is prohibited.

LINEAR DIMENSIONS ARE IN MILLIMETERS. ANGULAR DIMENSIONS ARE IN DEGREES. GENERAL TOLERANCES ACCORDING TO:

MATERIAL : - FINISH : -

WEIGHT : 19 Kg NAME : KIT PT 002-20\_V20

NAME	DATE & SIGNATURE
DESIGNER J.BRIARD	
CHECKER F.MYKIETA	
METHODS F.MYKIETA	
SCALE : 1:15 SIZE : A3 CREATION DATE : 25/05/2021	N° DAK INDUSTRIES REVISION : <b>07.002834 - C</b> STATUS : STANDARD
	PAGE: 3/3