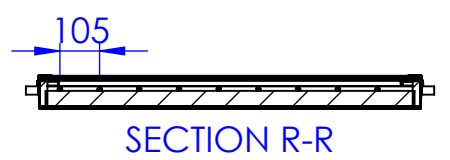
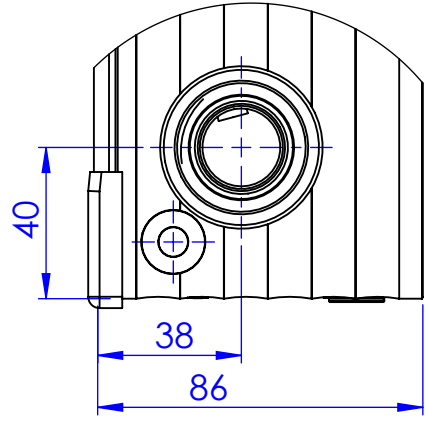


6 5 4 3 2 1

D

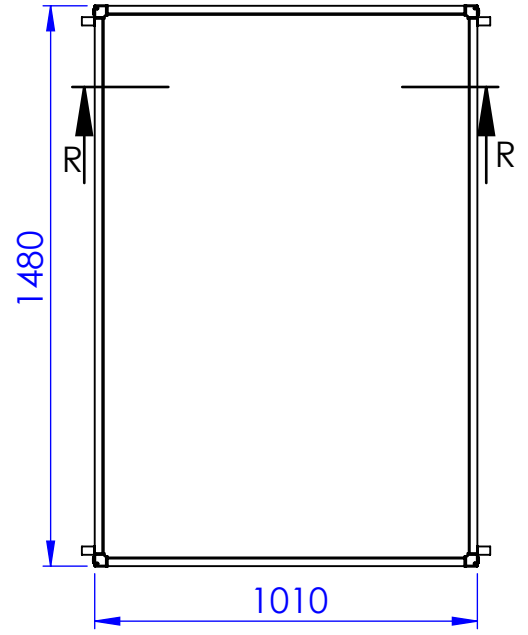


DETAIL S
SCALE 1 : 2



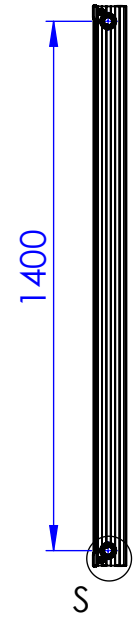
D

C



C

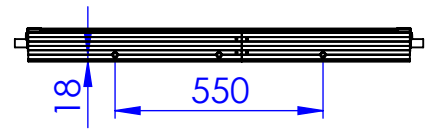
B



B

ITEM	MATERIAL	CHARACTERISTICS
FRAME	ALUMINUM	POWDER COATED
ABSORBER	ALUMINUM SHEET	SELECTIVE PVD COATED
RISER	COPPER	ø8X0.4mm
HEADER	COPPER	ø22X0.7mm
FRONT COVER	GLASS	LOW IRON/TEMPERED/3.2mm
BACK INSULATION	MINERAL WOOL	40mm, 50kg/m ³
LATERAL INSULATION	MINERAL WOOL	20mm
REINFORCEMENT	ALUMINUM	"Π" PROFILE ON 4 SIDES
BACK COVER	ALUZINC	0.4mm

A



UNLESS OTHERWISE SPECIFIED:
DIMENSIONS ARE IN MILLIMETERS
SURFACE FINISH:
TOLERANCES:
LINEAR: ±0.2
ANGULAR: ±0.2

This design is the sole property of Papaemmanouel SA and protected under the Copyright Laws of Greece and EU. Any kind of reproduction or publication of the work illustrated within this design, without the written consent of Papaemmanouel SA is strictly prohibited.



REVISION 8/25/2020

DO NOT SCALE DRAWING

	NAME	SIGNATURE	DATE	
DRAWN	Ioannis Gegakis		30-4-18	THERMAL LIQUID CAPACITY: 1.20t
CHK'D	Manos Monogios			APERTURE AREA: 1.38m ²
APPV'D	Manos Monogios			
MFG				
Q.A				
				WEIGHT:

TITLE:	FOXALc-1.50m ² Vertical type-D
DWG. NO.	FPC300418005
	A4
SCALE: 1:20	SHEET 5 OF 10

6 5 4 3 2 1

A