

REP	N° DAK	DESCRIPTION	QTE
1	07.002829-C	KIT CAPTEUR 002-20_V20	1
2	07.002836-C	KIT TR2 002-20_V20	1

REVISIONS		
REV	DESCRIPTION	DATE
		xx/xx/20xx



Informations contained in this drawing are the sole properties of DAK INDUSTRIES. Reproduction in part or whole without the written permission is prohibited.

LINEAR DIMENSIONS ARE IN MILLIMETERS.
ANGULAR DIMENSIONS ARE IN DEGREES.
GENERAL TOLERANCES ACCORDING TO:

MATERIAL :

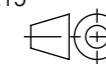
-

FINISH :

-

	NAME	DATE & SIGNATURE
DESIGNER	J.BRIARD	
CHECKER	F.MYKIETA	
METHODS	F.MYKIETA	

SCALE : 1:15
SIZE : A3
CREATION DATE : 27/05/2021

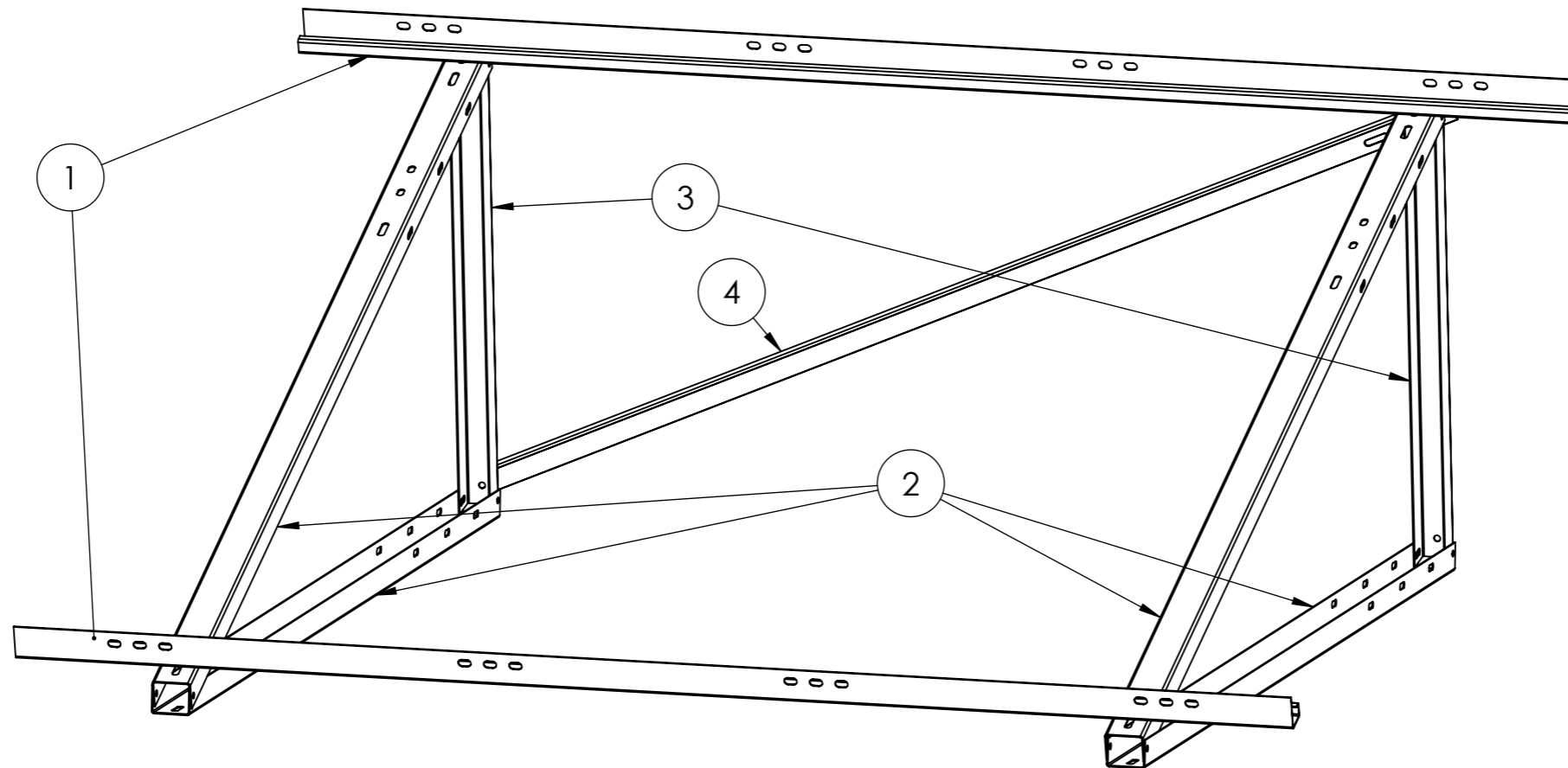


N° DAK INDUSTRIES REVISION :
07.002855 - C
STATUS : STANDARD

WEIGHT : 96 Kg

NAME : CESC 002-20_V20 TR2

PAGE: 1/1



REP	N° DAK	DESCRIPTION	QTE
1	07.002247-C	TRAVERSE SUPPORT CAPTEUR 2006	2
2	07.000199-C	LONGERON TR LG2060	4
3	07.000361-C	PIEDS AR BRACON 20°	2
4	07.000482-C	DEMI CROISILLON LG1720	1

REVISIONS		
REV	DESCRIPTION	DATE
		xx/xx/20xx

DAK INDUSTRIES

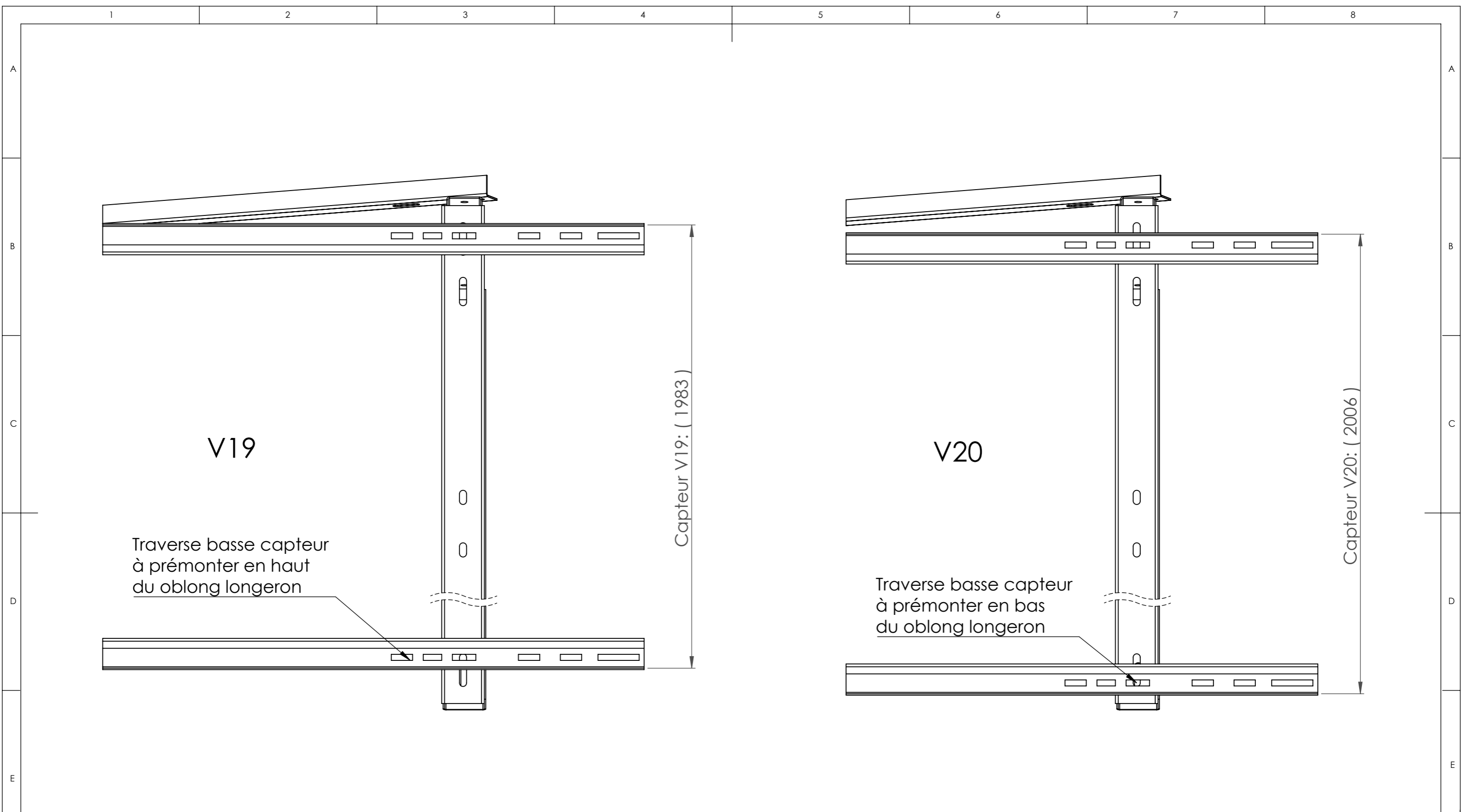
Informations contained in this drawing are the sole properties of DAK INDUSTRIES. Reproduction in part or whole without the written permission is prohibited.

LINEAR DIMENSIONS ARE IN MILLIMETERS. ANGULAR DIMENSIONS ARE IN DEGREES. GENERAL TOLERANCES ACCORDING TO:

MATERIAL : - FINISH : -

WEIGHT : 32 Kg NAME : KIT TR2 002-20_V20

NAME	DATE & SIGNATURE
DESIGNER J.BRIARD	
CHECKER F.MYKIETA	
METHODS F.MYKIETA	
SCALE : 1:10 SIZE : A3 CREATION DATE : 24/05/2021	N° DAK INDUSTRIES REVISION : 07.002836 - C STATUS : STANDARD
	PAGE: 1/3



REVISIONS		
REV	DESCRIPTION	DATE
		xx/xx/20xx

DAK INDUSTRIES

Informations contained in this drawing are the sole properties of DAK INDUSTRIES. Reproduction in part or whole without the written permission is prohibited.

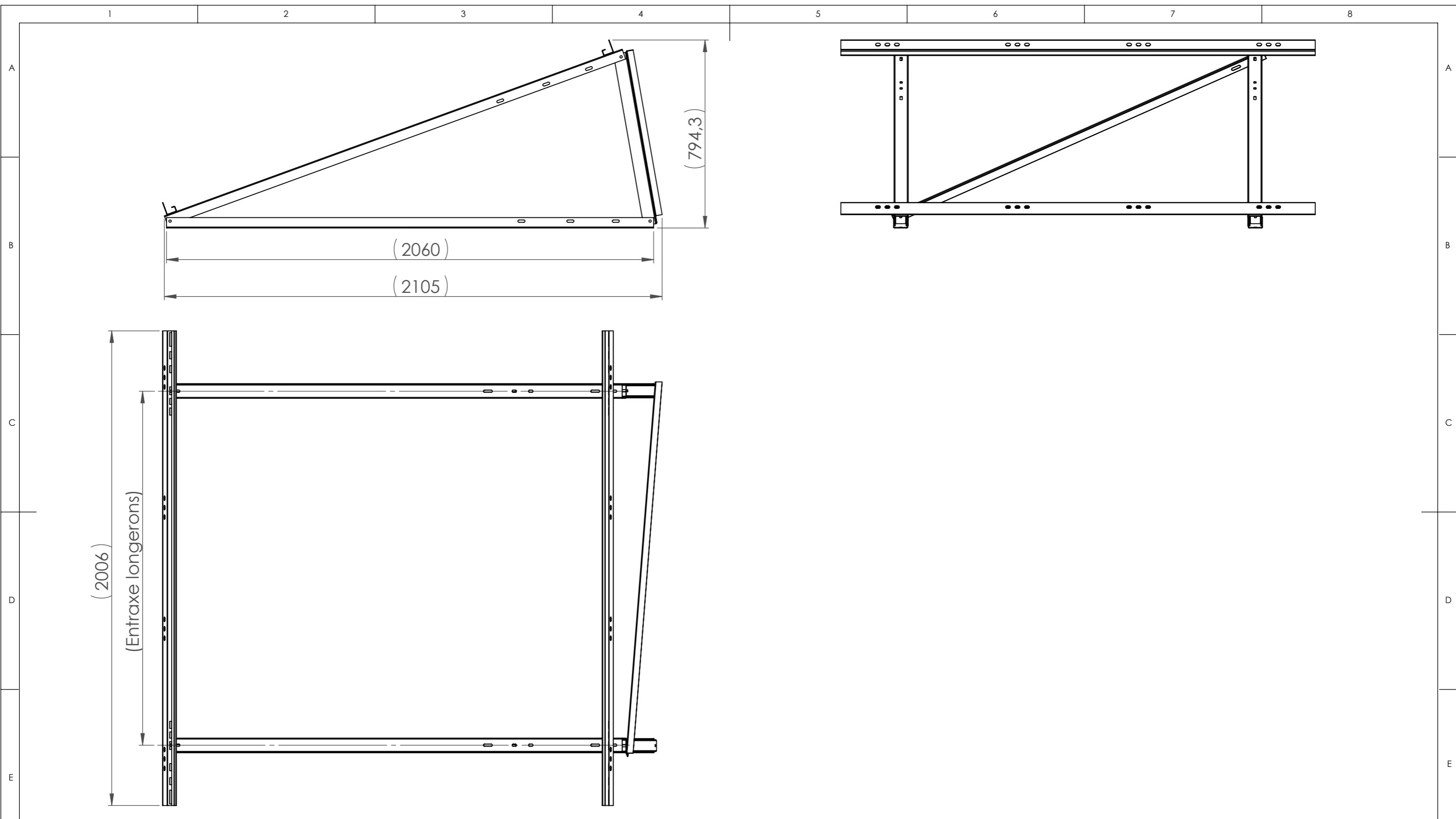
LINEAR DIMENSIONS ARE IN MILLIMETERS. ANGULAR DIMENSIONS ARE IN DEGREES. GENERAL TOLERANCES ACCORDING TO:

-

MATERIAL : - FINISH : -

WEIGHT : 32 Kg NAME : KIT TR2 002-20_V20

NAME	DATE & SIGNATURE
DESIGNER J.BRIARD	
CHECKER F.MYKIETA	
METHODS F.MYKIETA	
SCALE : 1:5 SIZE : A3 CREATION DATE : 24/05/2021	N° DAK INDUSTRIES REVISION : 07.002836 - C STATUS : STANDARD
	PAGE: 2/3



REVISIONS		
REV	DESCRIPTION	DATE
		xx/xx/20xx

DAK INDUSTRIES

Informations contained in this drawing are the sole properties of DAK INDUSTRIES. Reproduction in part or whole without the written permission is prohibited.

LINEAR DIMENSIONS ARE IN MILLIMETERS.
 ANGULAR DIMENSIONS ARE IN DEGREES.
 GENERAL TOLERANCES ACCORDING TO:
 -

MATERIAL :
 -

FINISH :
 -

WEIGHT : 32 Kg

NAME : KIT TR2 002-20_V20

DESIGNER	NAME	DATE & SIGNATURE
J.BRIARD		
F.MYKIETA		
F.MYKIETA		
SCALE : 1:15	N° DAK INDUSTRIES REVISION :	
SIZE : A3	07.002836 - C	
CREATION DATE : 24/05/2021	STATUS : STANDARD	
		PAGE: 3/3